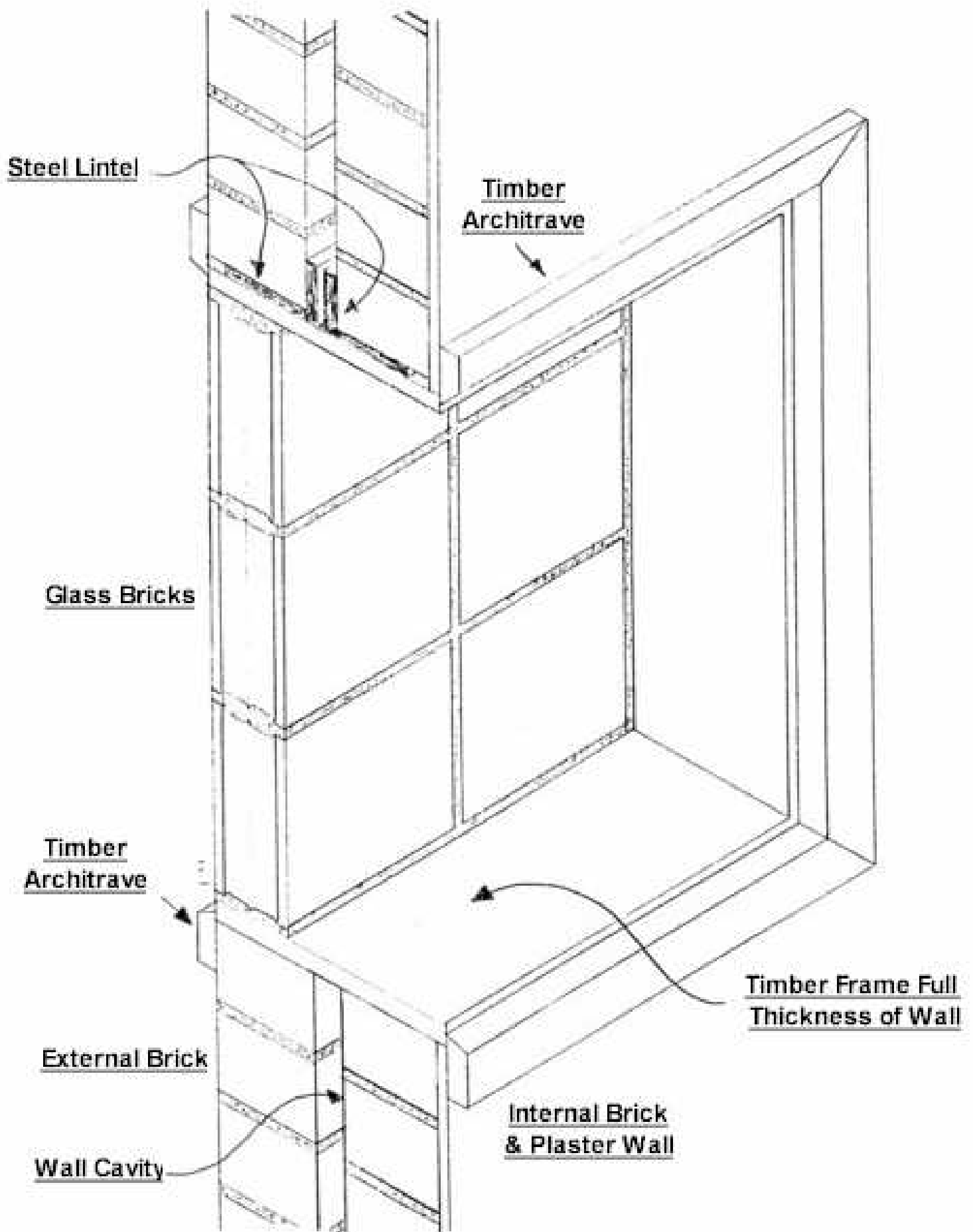


**GLASS BRICK PANEL USING FULL THICKNESS TIMBER  
FRAME WITH ARCHITRAVES BOTH SIDES**



**SECTION THROUGH SOLID BRICK WALL**