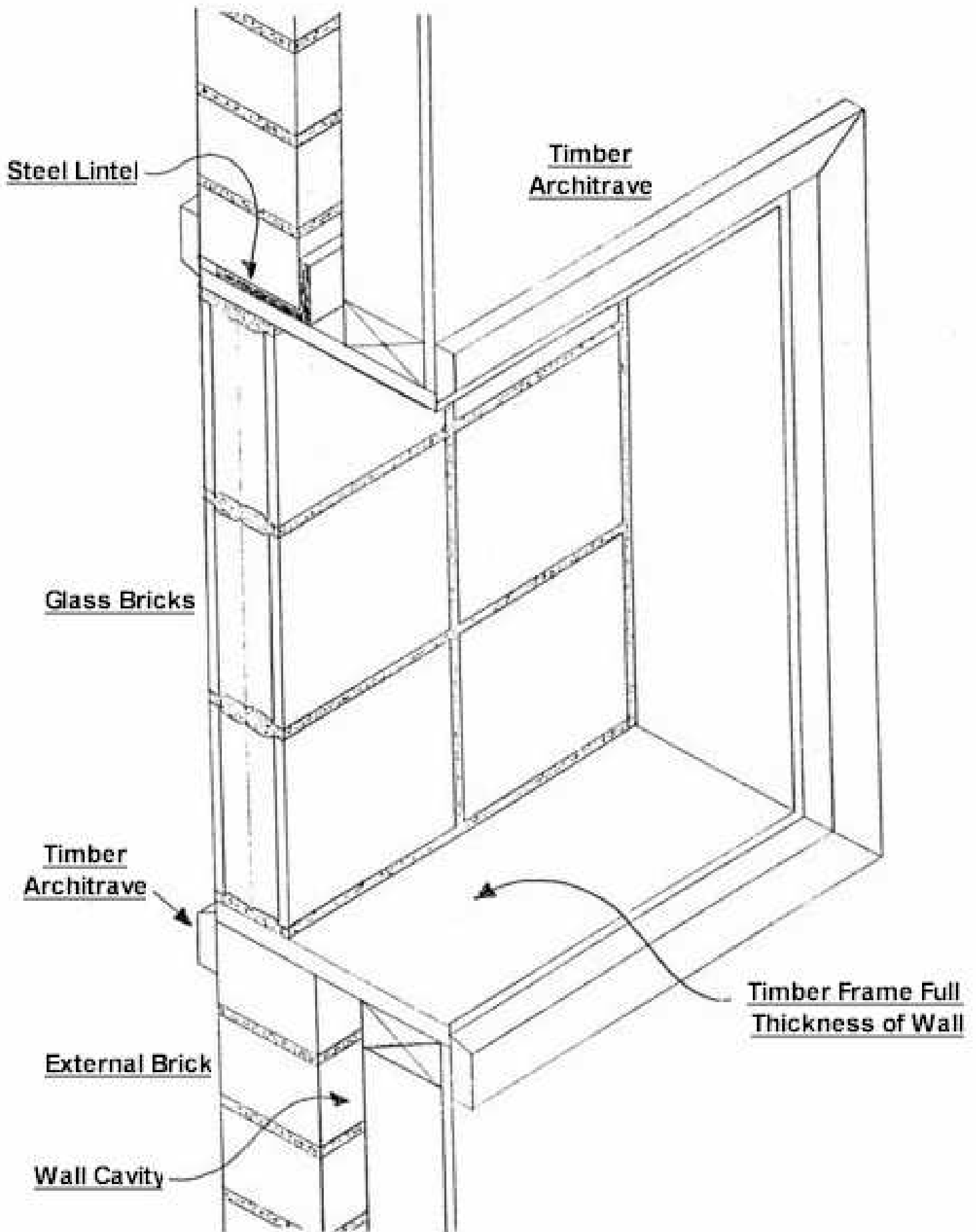


GLASS BRICK PANEL USING FULL THICKNESS TIMBER
FRAME WITH ARCHITRAVES BOTH SIDES



SECTION THROUGH BRICK VENEER WALL